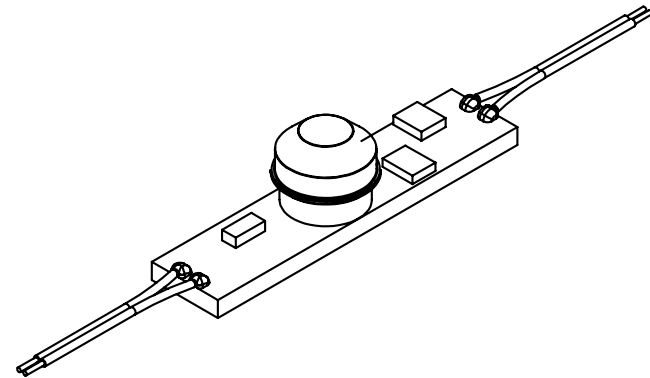


Radium

IN-PROFILE MOTION SENSOR 72W/12-24V



Radium Lampenwerk GmbH

Dr.-Eugen-Kersting-Straße 6
51688 Wipperfürth
GERMANY

www.radium.de

V2010



Radium Lampenwerk GmbH

Dr.-Eugen-Kersting-Straße 6
51688 Wipperfürth
GERMANY

www.radium.de

V2010



Features

- PIR motion sensor switch, connected directly to the low voltage LED-Strip.
- When people or objects enter the sensitive field, the strip turns on.
- When these exit the sensitive field, the strip turns off after 1 minute
- Max 3A output current, max output power 72W at 24V.
- To operate in Radium aluminum profiles
- 3M tape in the bottom of the PCB to ensure easy installation and security.

Technical Parameters

Input and Output

Input voltage	12-24VDC
Output voltage	12-24VDC
Output power	Max. 36W @ 12V Max. 72W @ 24V
Standby power	< 0,5W

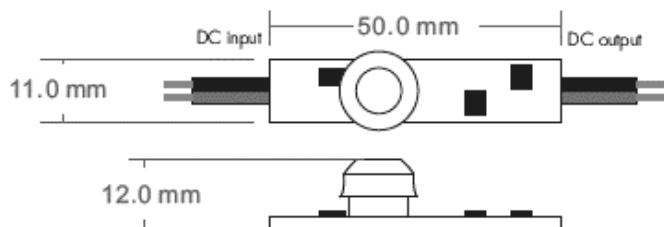
Sensor data

Sensitive field	< 3m
Sensitivity angle	120

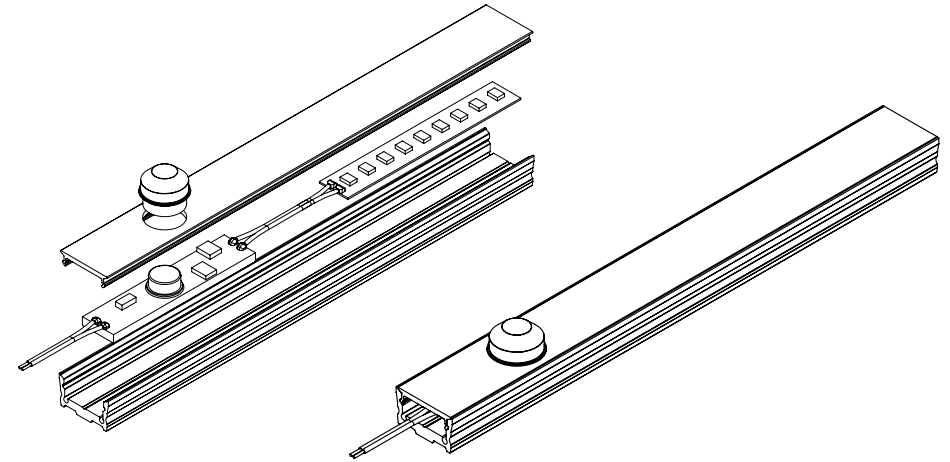
Environment

Operation temperature	Ta: -30°C ~ + 55°C
-----------------------	--------------------

⚠ Do not mount on flameable surfaces.



Installation



Recommended Profiles

Aluminum Profiles	Article no.
PROFILE SMALL U FLAT	TRPA2511
PROFILE MEDIUM U FLAT	TRPA2551

